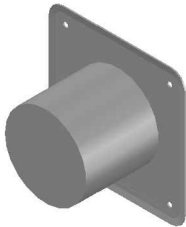
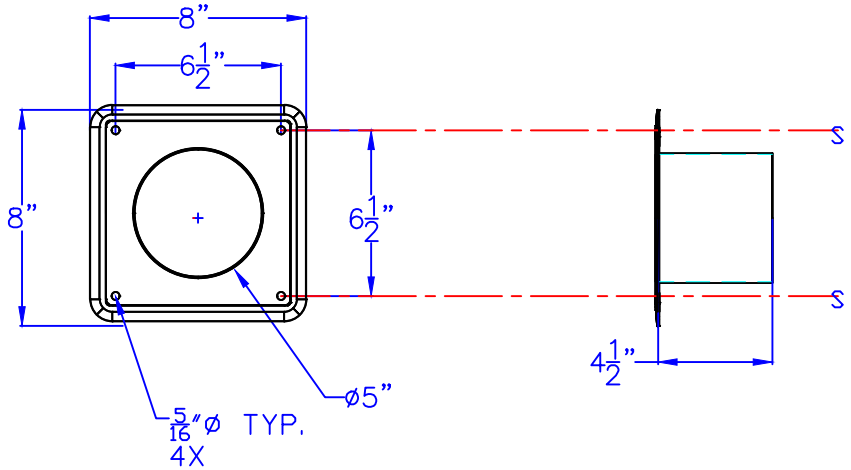
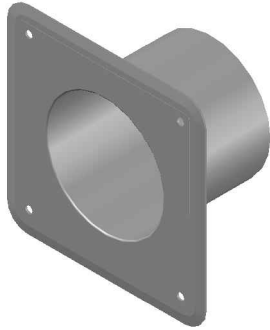




# Technical Data

## S-4080-SS

EXPOSED MOUNT RECESS TOILET PAPER HOLDER



### Construction:

8" X 8" SQUARE 14 GAUGE TYPE 304 STAINLESS STEEL BEZEL.  
5" DIAMETER X 4 1/2" LONG CYLINDER.  
EXPOSED MOUNTING.  
FULLY WELDED ONE PIECE CONSTRUCTION.  
EXPOSED SURFACES ARE SATIN #4 FINISH.

### Operation:

ACCOMMODATES ONE STANDARD TOILET TISSUE ROLL 5" DIAMETER X 4 1/2" LONG

### Installation:

ROUGH WALL OPENING REQUIRED IS: 5 1/4"  $\phi$  X 4 1/2" MINIMUM DEPTH.  
USE FACE PLATE AS TEMPLATE TO MARK AND LOCATE THE MOUNTING HOLES.  
FASTEN TO WALL USING APPROPRIATE FASTENERS.

CAUTION: UNIT IS ONLY AS STRONG AS THE ANCHORING DEVICES AND THE WALL ON WHICH IT IS MOUNTED TO.

### Guide Specification:

RECESSED TOILET PAPER HOLDER WITH A 8" X 8" 14 GAUGE SQUARE BEZEL.  
INTERIOR MEASURING 5" DIAMETER X 4 1/2" IN DEPTH.  
EXPOSED MOUNTING.  
EXPOSED SURFACES ARE SATIN #4 FINISH.  
WELDED ONE PIECE CONSTRUCTION FROM TYPE 304 STAINLESS STEEL.

The manufacturer reserves the right to make changes in design and material without formal notice and without incurring obligation

© Copyright 2005  
Brey-Krause Manufacturing

Brey-Krause Manufacturing  
1209 West Lehigh Street, Bethlehem, PA 18018  
Phone: 610.867.1401 Fax: 610.866.1433  
www.breykrause.com